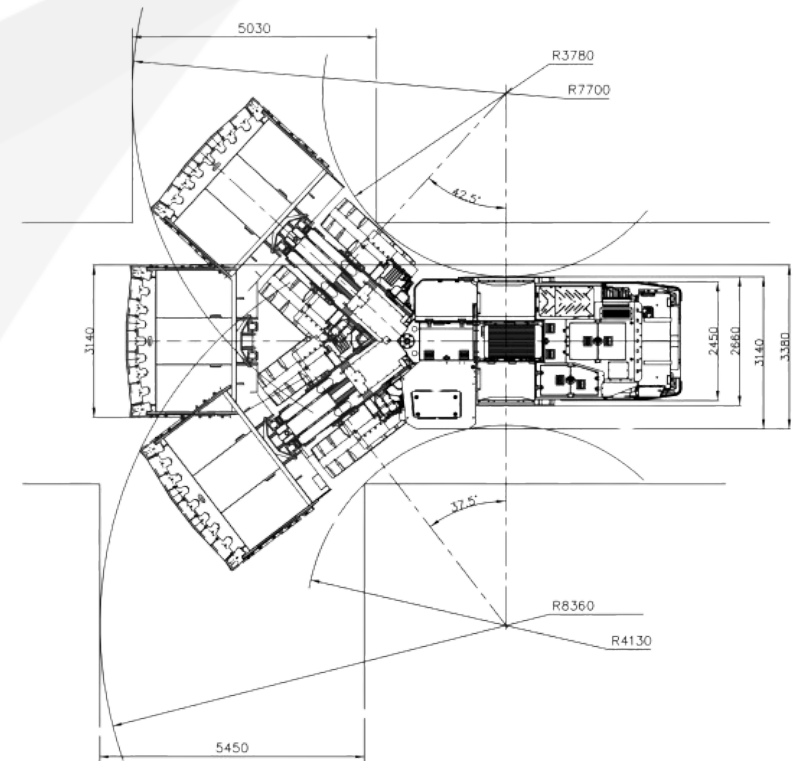
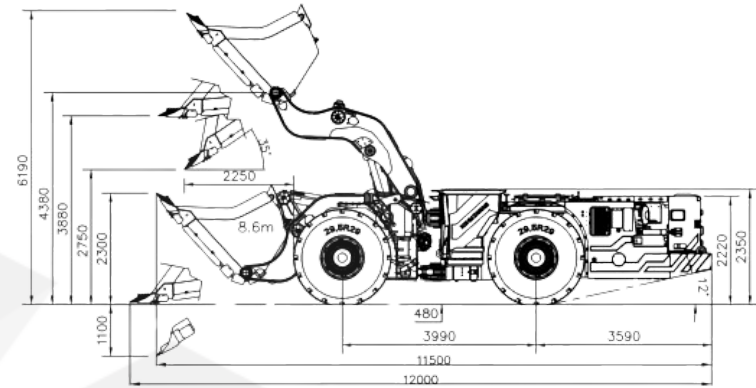


KGHM ZANAM

LD17



Length: 11 500 mm

Width: 3 380 mm

Height: 2 350 mm

Total weight: 48 600 kg

Standard bucket: 8,6 m³

Tramming capacity: 172 kN

Power rating: 330 kW

Exhaust gas purity class: Stage V

Driving speed: 1st gear 5,0 km/h
(forward/reverse) 2nd gear 9,0 km/h

3rd gear 15,0 km/h

4th gear 20,0 km/h