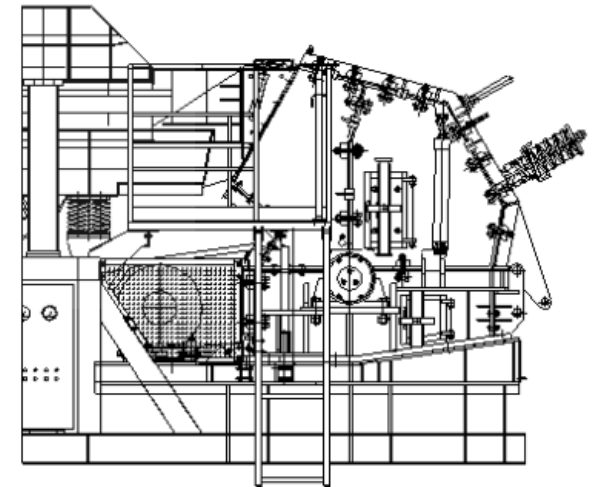
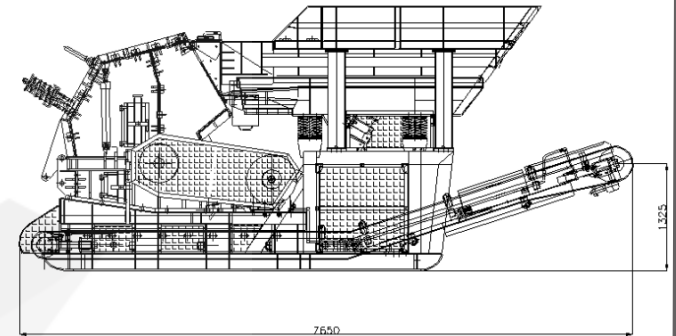
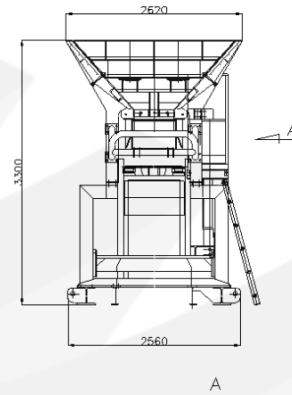


KGHM ZANAM

IMPACT CRUSHING PLANT KKL50E



Specifications:

Drive:	electric drive of all modules
Efficiency:	up to 40 m ³ /h
Maximum feed size:	500 mm
Degree of fineness:	1:10 ÷ 1:50
Weight:	21,5 Mg
Combustion engine power rating at 1500 RPM:	100 kW